

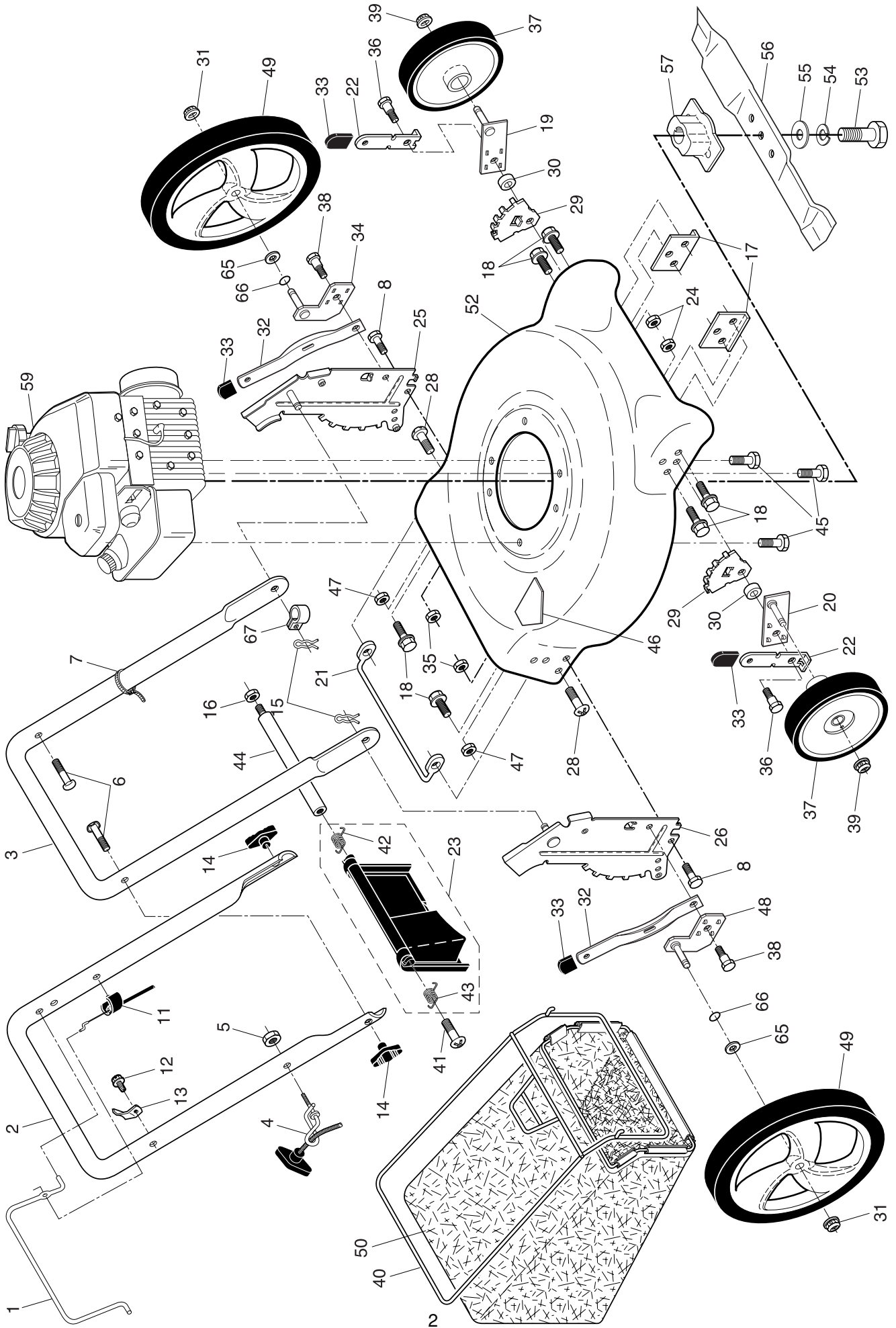
**ILLUSTRATED PARTS LIST**

**MODEL NUMBER P4053CM**

**PRODUCT NUMBER 961 31 00-12**

**MFG. ID. NUMBER 96131001201**

**ROTARY LAWN MOWER -- MODEL NUMBER P4053CM (96131001201) PRODUCT NUMBER 961 31 00-12**



# ROTARY LAWN MOWER - - MODEL NUMBER P4053CM (96131001201) PRODUCT NUMBER 961 31 00-12

KEY NO.	PART NO.	DESCRIPTION	KEY NO.	PART NO.	DESCRIPTION
1	532 19 55-74	Control Bar	34	532 18 36-61	Axle Arm Assembly, Rear, LH
2	532 19 55-47	Upper Handle	35	532 16 67-85	Locknut, Hex 5/16-18
3	532 17 42-91	Lower Handle	36	532 16 08-28	Shoulder Bolt 5/16-18
4	532 17 95-85	Rope Guide	37	<b>532 40 61-55</b>	Wheel & Tire Assembly, Front
5	532 13 20-04	Nut, Hex 1/4-20	38	532 16 43-62	Shoulder Bolt 5/16-18
6	532 19 15-74	Handle Bolt	39	532 08 39-23	Nut, Hex, Flangelock 3/8-16
7	532 06 64-26	Wire Tie	40	532 19 46-42	Frame, Grassbag
8	874 78 05-12	Bolt, Hex Head 5/16-18 x 3/4	41	532 08 86-52	Hinge Screw
11	532 17 65-56	Engine Zone Control Cable	42	532 16 57-66	Spring, Rear Door, LH
12	532 75 06-34	Screw, Threaded, Rolled #10-24 x 1/2	43	532 16 57-67	Spring, Rear Door, RH
13	532 12 52-03	Up-Stop Bracket	44	532 18 58-19	Rod, Stiffener, Rear Door
14	532 19 19-38	Handle Knob	45	532 15 04-06	Screw, Hex Head, Threaded, Rolled 3/8-16 x 1
15	532 05 17-93	Hairpin Cotter	46	532 18 21-66	Danger Decal
16	532 19 17-30	Nut, Hex, Flangelock	47	532 75 11-53	Locknut, Hex 5/16-18
17	532 17 41-12	Support Bracket	48	532 18 36-62	Axle Arm Assembly, Rear, RH
18	817 60 04-06	Screw	49	532 40 29-35	Wheel & Tire Assembly, Rear
19	532 18 92-77	Axle Arm Assembly, Front, LH	50	532 40 20-24	Grassbag
20	532 18 92-78	Axle Arm Assembly, Front, RH	52	532 40 06-59	Kit, Lawn Mower Housing (Includes Key Numbers 17, 18 and 46)
21	532 16 94-23	Footguard	53	532 85 10-84	Screw, Hex Head, Grade 8, 3/8-24 x 1-3/8
22	532 16 85-99	Selector Spring, Front	54	532 85 02-63	Helical Lockwasher
23	532 18 66-12	Kit, Rear Door (Includes Springs)	55	532 85 10-74	Hardened Washer
24	873 93 05-00	Locknut, Hex 5/16-18	56	532 19 93-77	21" Blade
25	532 40 31-12	Handle Bracket Assembly, LH	57	532 19 38-25	Blade Adapter
26	532 40 31-13	Handle Bracket Assembly, RH	59	- - -	Engine, Briggs & Stratton, Model Number 10A902 (Order Parts from Engine Manufacturer)
27	817 60 04-06	Screw 1/4-20 x 3/8	65	532 08 83-48	Washer, Flat
28	532 05 45-83	Screw	66	532 19 74-80	O-Ring
29	532 16 57-04	Wheel Adjusting Bracket, Front	67	532 19 79-91	Clip, Cable
30	532 18 39-01	Spacer	- -	532 18 21-91	Warning Decal (not shown)
31	532 14 52-12	Nut, Hex, Flangelock	- -	532 40 08-48	Operator's Manual, European
32	532 40 29-47	Selector Spring, Rear	- -	532 40 08-50	Opeattor's Manual, Scandinavian
33	532 08 78-77	Selector Knob			

**NOTE:** All component dimensions given in U.S. inches. 1 inch = 25.4 mm. **IMPORTANT:** Use only Original Equipment Manufacturer (O.E.M.) replacement parts. Failure to do so could be hazardous, damage your lawn mower and void your warranty.